

# Bullet Resistant Transaction Window - External / Internal

# Model BSW



Suggested Wall Aperture:  
705mm x 1110mm

## Application

Model BSW provides a safe environment for staff to effectively transact with customers

Typical applications are reception, cashiers, pharmacy windows, ticket offices, currency exchange and lone worker protection

## Safety & Features

- Ballistic Security Window with Transfer Tray
- Electronic Speech Transfer & Induction Loop (requires 13A switched socket outlet for a 3 pin plug)
- Deep Pass Through Tray with Locking Lid
- Bullet Resistant Security Glass to EN 1063 BR4 & SG1 No Spall
- Tested to defeat multiple shots from:
  - .44mm Magnum Handgun
  - Shotgun firing a Solid Brenneke 12g Slug
- Welded All Stainless Steel Construction
- Easy to install
- Bespoke sizes and specs made on request
- Complete range of internal, external, physical and bullet resistant security windows are available at [www.architecturalarmour.com](http://www.architecturalarmour.com)



# Architectural Armour

For our full range of Bullet, Blast & Attack Resistant Windows Walls and Doors contact  
**+44(0)1981 257000**    [sales@architecturalarmour.com](mailto:sales@architecturalarmour.com)    [www.architecturalarmour.com](http://www.architecturalarmour.com)

# Bullet Resistant Transaction Window - External / Internal

Model BSW

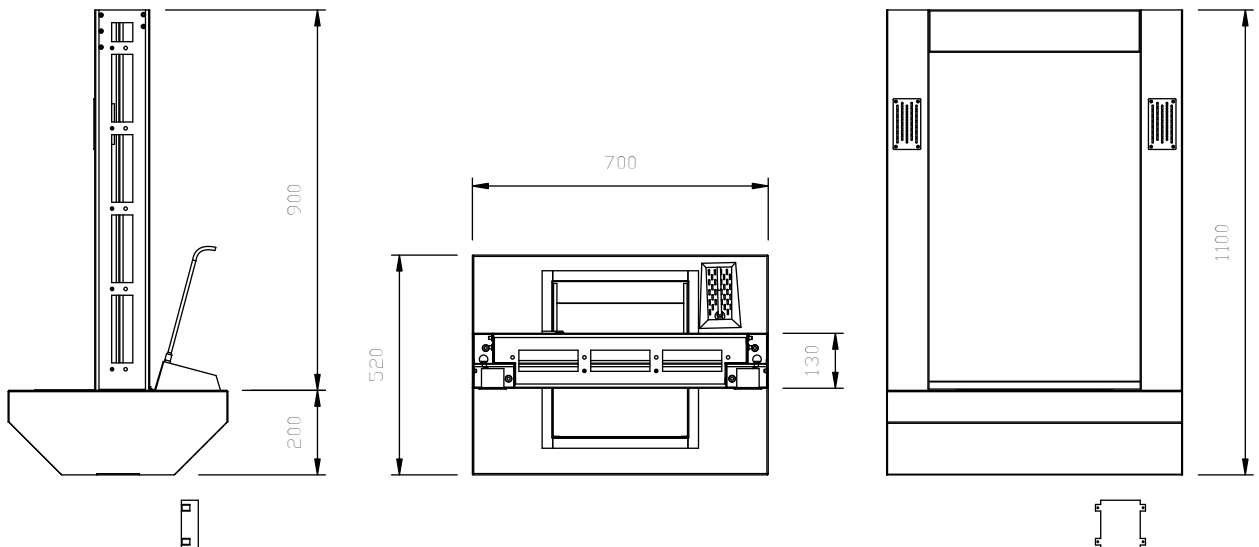


## Materials

- Stainless Steel Counter & Screen
- Stainless steel Deep Tray with Lockable Lid
- Bullet Resistant Security Glass
- Ballistic Steel sub base

## Suggested Wall Aperture

705 mm x 1110 mm



# Architectural Armour

For our full range of Bullet, Blast & Attack Resistant Windows Walls and Doors contact  
**+44(0)1981 257000**    **sales@architecturalarmour.com**    **www.architecturalarmour.com**