

# Secure Cash Transfer

# Manual Hopper



## Safety & Features

- Secure transfer of large items and large cash in transit boxes
- Front and rear doors can only be operated one at a time
- Can be sited in a wall, or mounted within a security counter
- Best suited for internal and covered external use
- Easy to install
- Complete range of internal, external, physical and bullet resistant security products are available at [www.aa-ltd.co.uk](http://www.aa-ltd.co.uk)



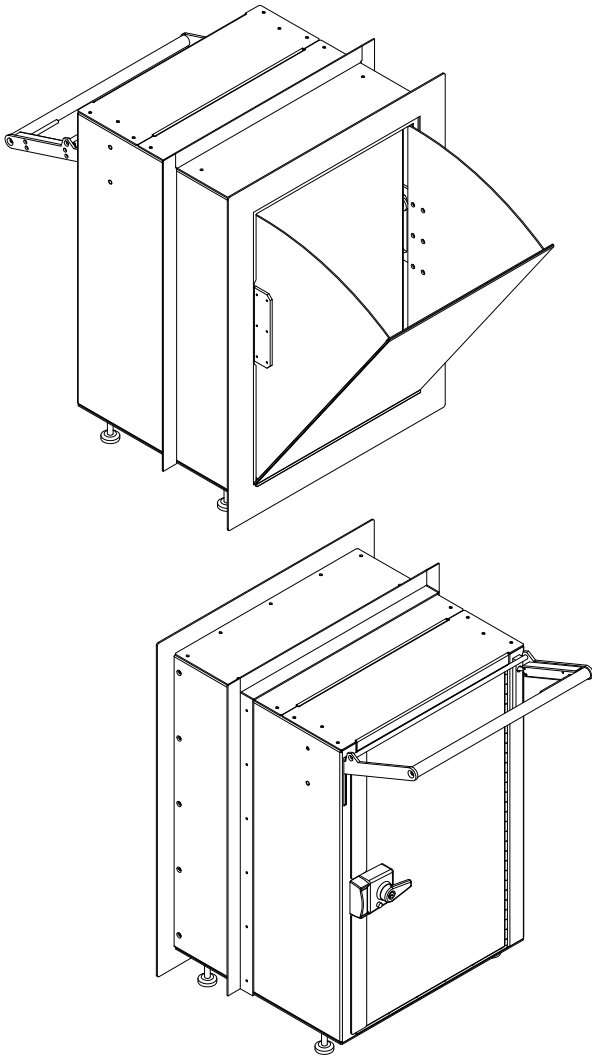
## Application

Unit provides a safe method of transferring large quantities of cash or valuables

Typical applications are Cash Offices, secure reception, banks and supermarkets, for receiving cash in transit

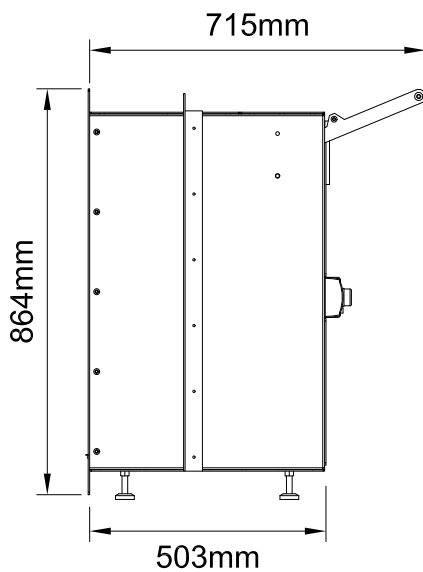
# Secure Cash Transfer

# Manual Hopper

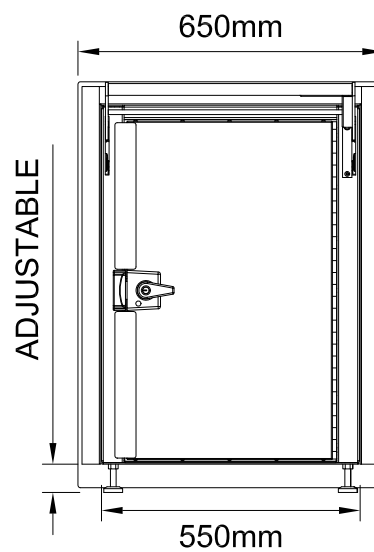


## Materials

- All steel construction
- Stainless Steel Door front
- Stainless steel skid plate
- Painted mild steel body



SIDE ELEVATION



REAR ELEVATION

**ARCHITECTURAL** **ARMOUR** LTD