

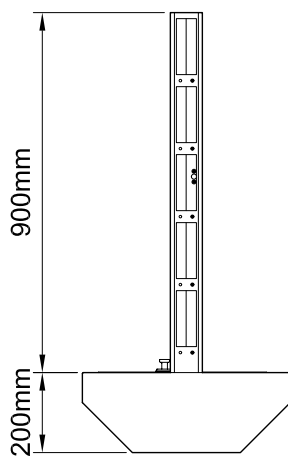
Bullet Resistant Security Window Model BSW External / Internal



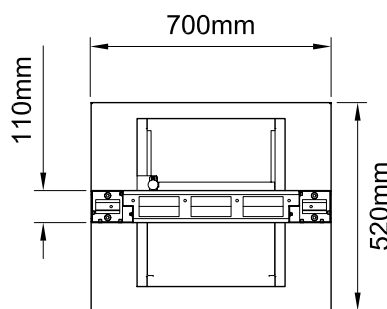
Suggested Wall Aperture:
705mm x 1110mm

Safety & Features

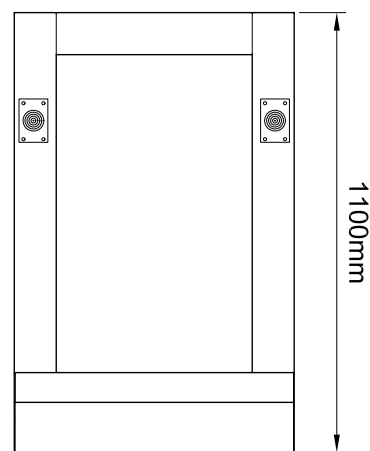
- Ballistic Security Window with Transfer Tray
- Electronic Speech Transfer & Induction Loop
- Deep Pass Through Tray with Locking Lid
- Bullet Resistant Security Glass to EN 1063 BR4 & SG1 No Spall
- Tested to defeat multiple shots from:
 - .44mm Magnum Handgun
 - Shotgun firing a Solid Brenneke 12g Slug
- Welded All Stainless Steel Construction
- Easy to install
- Bespoke sizes and specs made on request
- Complete range of internal, external, physical and bullet resistant security windows are available at www.aa-ltd.co.uk



SIDE ELEVATION



PLAN VIEW



FRONT ELEVATION