

Bullet Resistant Transaction Window - External / Internal

Model SW4



Suggested Wall Aperture:
900mm x 1260mm

Application

Model SW4 provides a safe environment for staff to effectively transact with customers

Typical applications are reception, cashiers, pharmacy windows, ticket offices, currency exchange and lone worker protection

Safety & Features

- Bullet Resistant Transaction Window Mild Steel Frame
- Polyester powder coated RAL
- Electronic Speech Transfer & Induction Loop (requires 13A switched socket outlet for a 3 pin plug)
- Bullet Resistant Security Glass to EN 1063 BR4 NS
- The Tray is EN1522/3 FB4 bullet resistant
- Model SW4 is suitable for internal and some covered external applications
- Easy to install
- Bespoke sizes and specs made on request
- Complete range of internal, external, physical and bullet resistant security windows are available at www.architecturalarmour.com

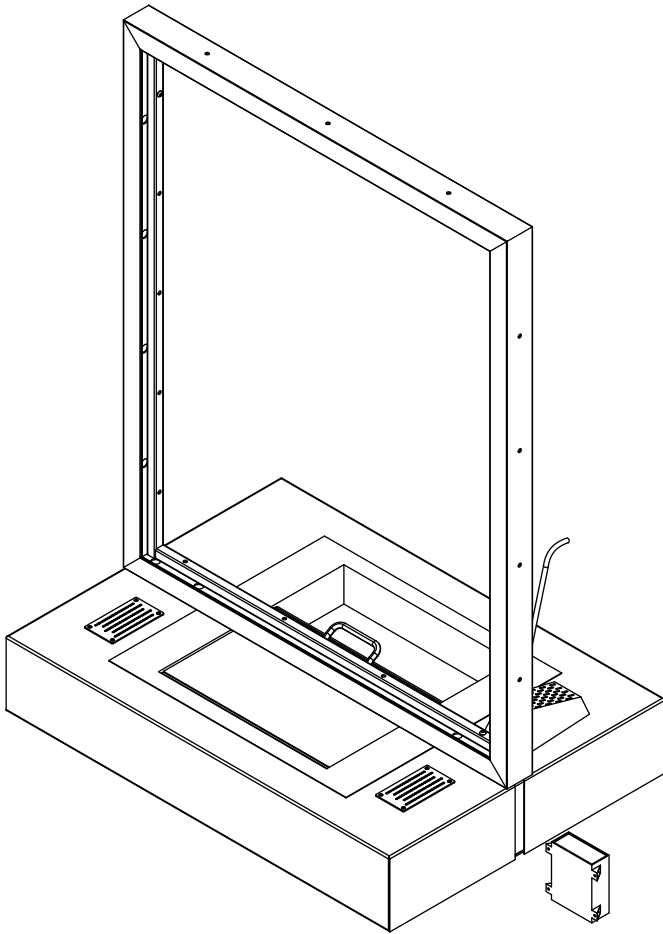


Architectural Armour

For our full range of Bullet, Blast & Attack Resistant Windows Walls and Doors contact
+44(0)1981 257000 sales@architecturalarmour.com www.architecturalarmour.com

Bullet Resistant Transaction Window - External / Internal

Model SW4

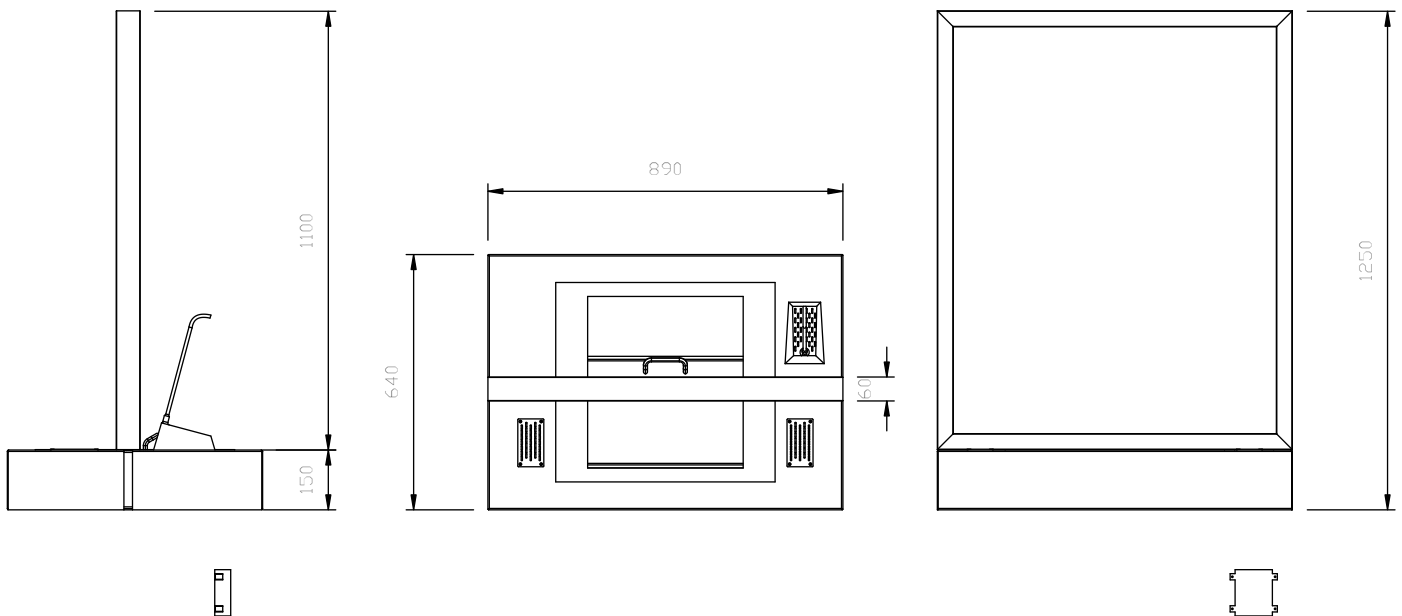


Materials

- Stainless Steel Counter & Screen
- Stainless steel Deep Tray with Lockable Lid
- Bullet Resistant Security Glass
- Ballistic Steel sub base

Suggested Wall Aperture

900 mm x 1260 mm



Architectural Armour

For our full range of Bullet, Blast & Attack Resistant Windows Walls and Doors contact
+44(0)1981 257000 sales@architecturalarmour.com www.architecturalarmour.com