



Architectural Armour

In Counter EI60 Option Part No EI60/490/648

Designed for flush built-in, in the counter applications.
Intended for indoor use.

Fire Rated to EI60 - EN1634-1
Bullet Resistant to EN1522/3 FB4

Operated manually; automatic lock at full extension on either side. Lock can only be released on staff side by using lever.

After releasing the lever tray runs automatically (spring operated) into a locked end position

Manufactured from steel. Stainless Steel Finish.

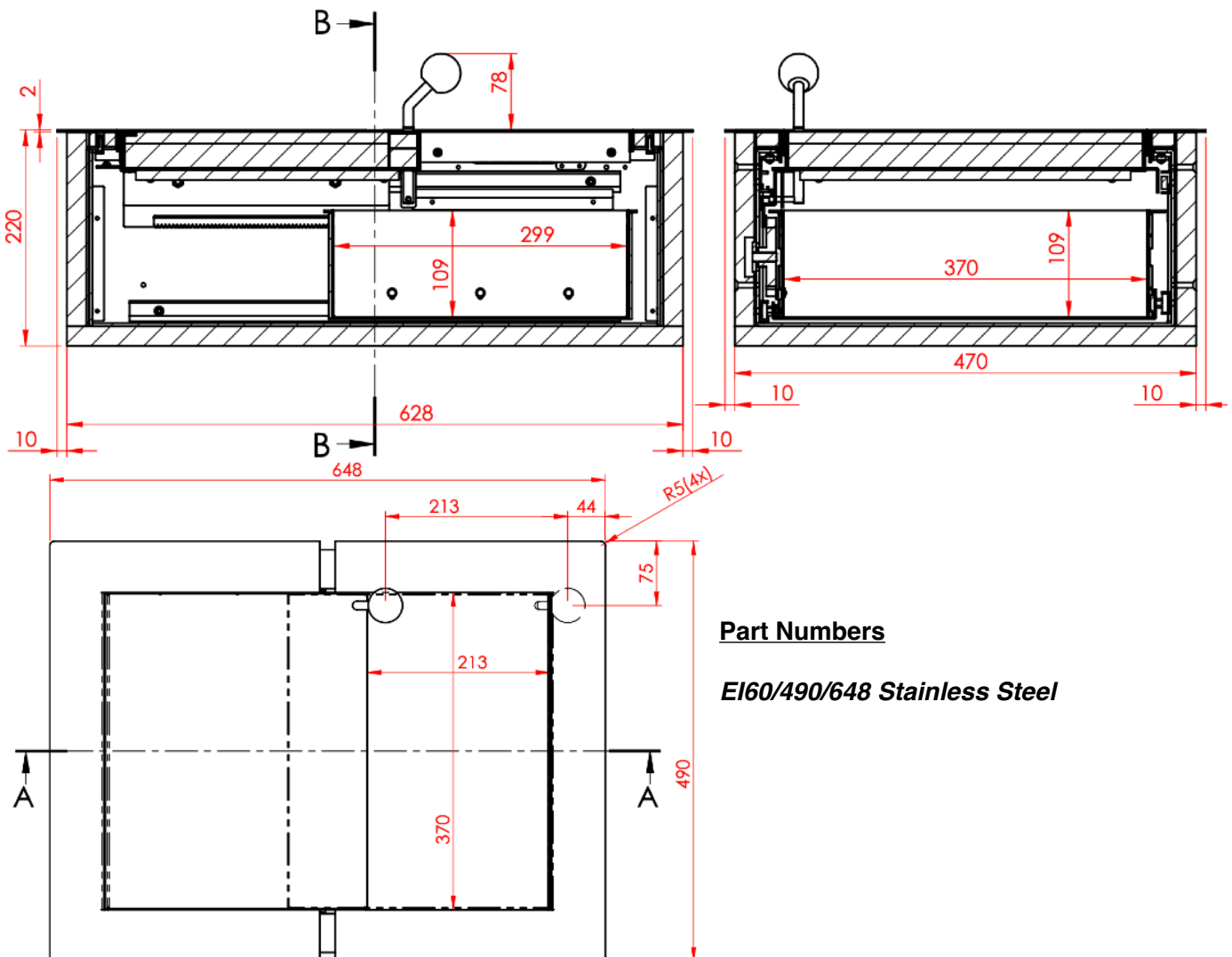
Counter cut out required 648mm x 490mm x 2mm



Outer Dimensions W x H x D: 490mm x 220mm x 648mm

Inner Clearance W x H x D: 370mm x 109mm x 299mm

To avoid excessive loading of the cover frame, the transfer tray must be supported by a steel tube substructure or something similar (to be provided by the customer).



Part Numbers

EI60/490/648 Stainless Steel