



# Architectural Armour

## Fire Rated Transaction Trays

### ***In Counter EI30 Option Part No EI30/590/640***



Designed for flush built-in, in the counter applications. Intended for indoor use.

Fire Rated to EI30 - EN1634-1  
Bullet Resistant to EN1522/3 FB4

Operated manually; money carriage and counter-moving cover plate lock in end positions. Slide control (beside the handle) is used to unlock.

Manufactured from steel. The FB4 tray is available in RAL 9005 Jet Black and Stainless Steel. Jet Black illustrated in image to the left

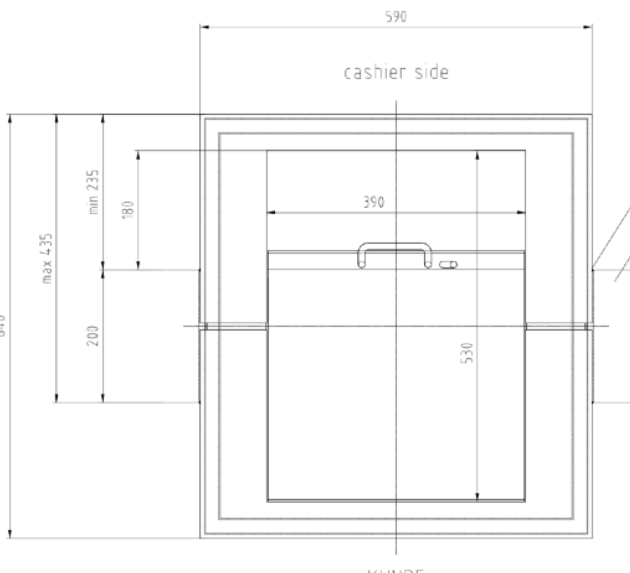
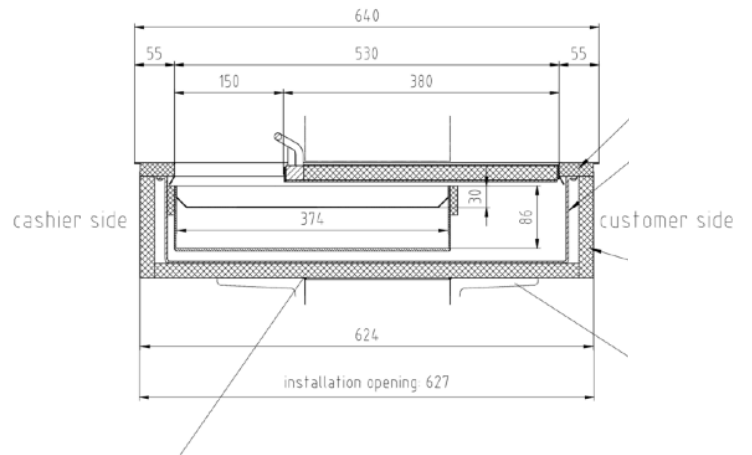
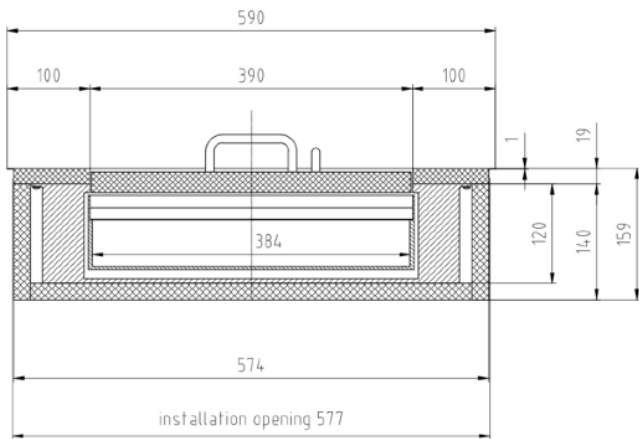
Counter cut out required 577mm x 627mm

Outer Dimensions W x H x D: 590mm x 159mm x 640mm

Inner Clearance W x H x D: 384mm x 85mm x 374mm  
Inserted plate height is 30mm

Max thickness of glass/screen frame to sit on top 75mm

To avoid excessive loading of the cover frame, the transfer tray must be supported by a steel tube substructure or something similar (to be provided by the customer).



### **Part Numbers**

***EI30/590/640 Jet Black 9005***  
***EI30/590/640 Stainless Steel***