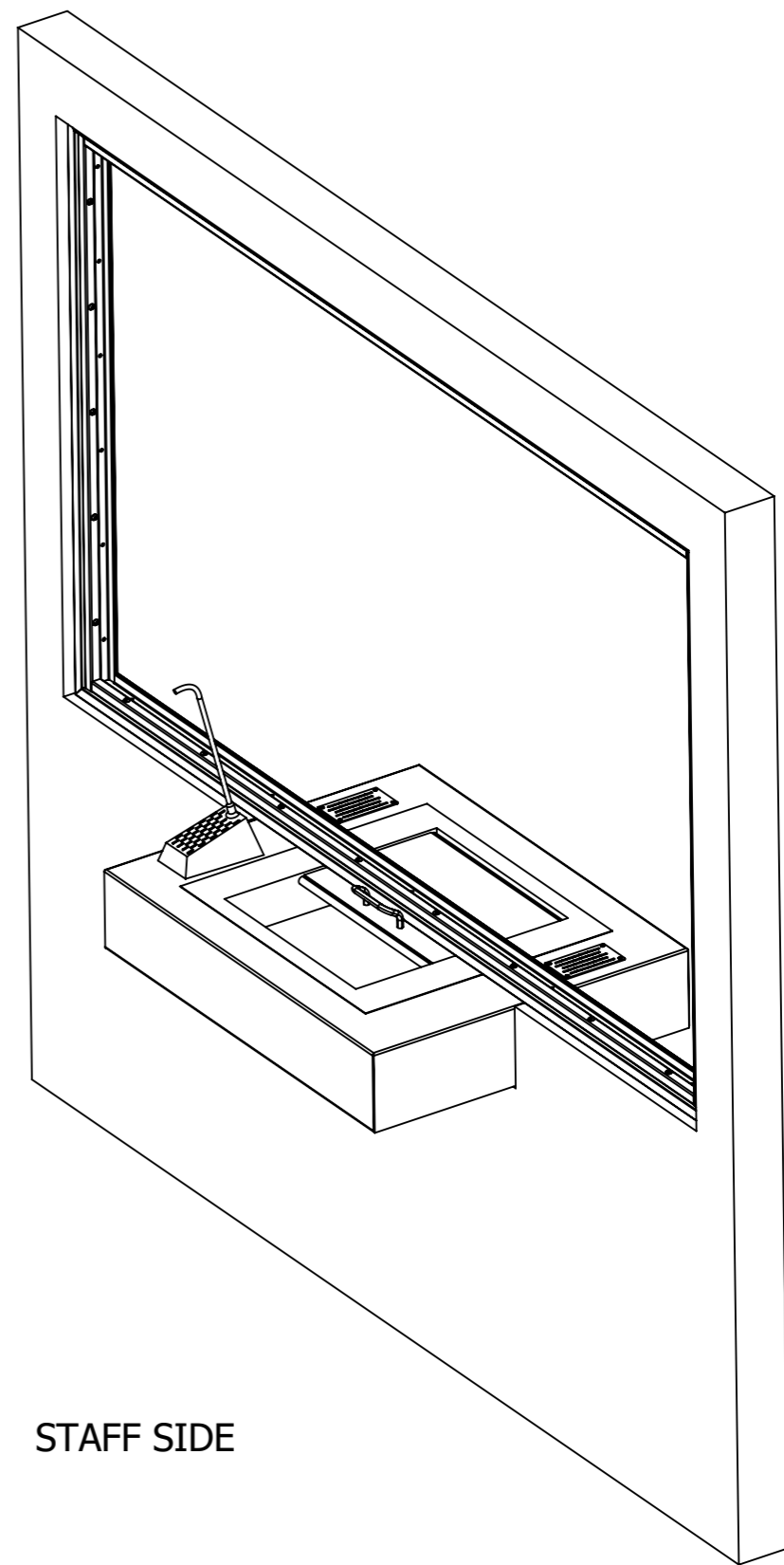


CUSTOMER SIDE



STAFF SIDE

Architectural Armour Limited
Office +44(0)1981 257000

www.architecturalarmour.com
sales@architecturalarmour.com

DRG No.

SW5 800 COUNTER/1350 NTS

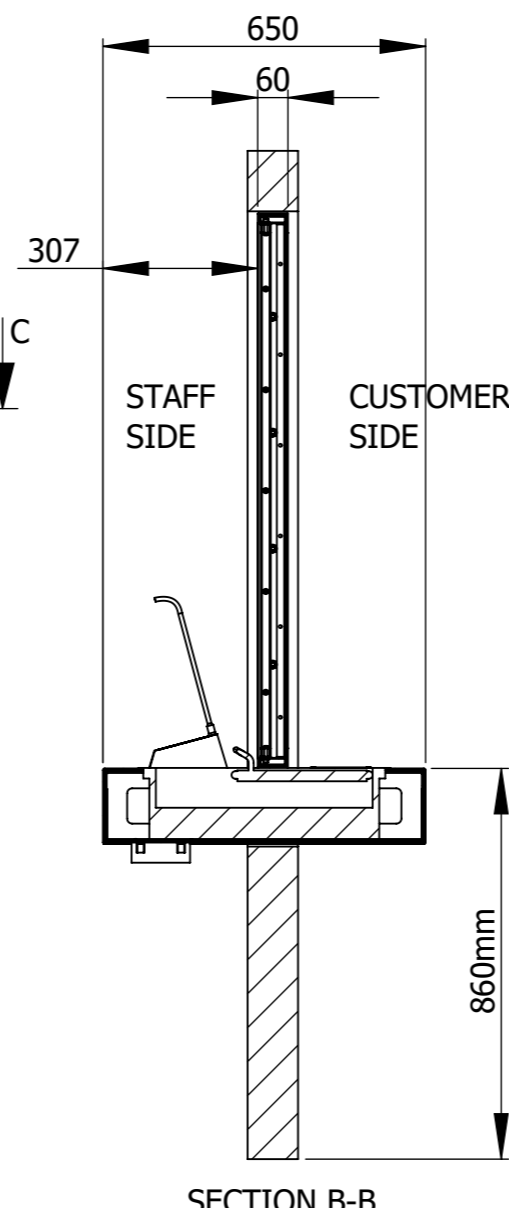
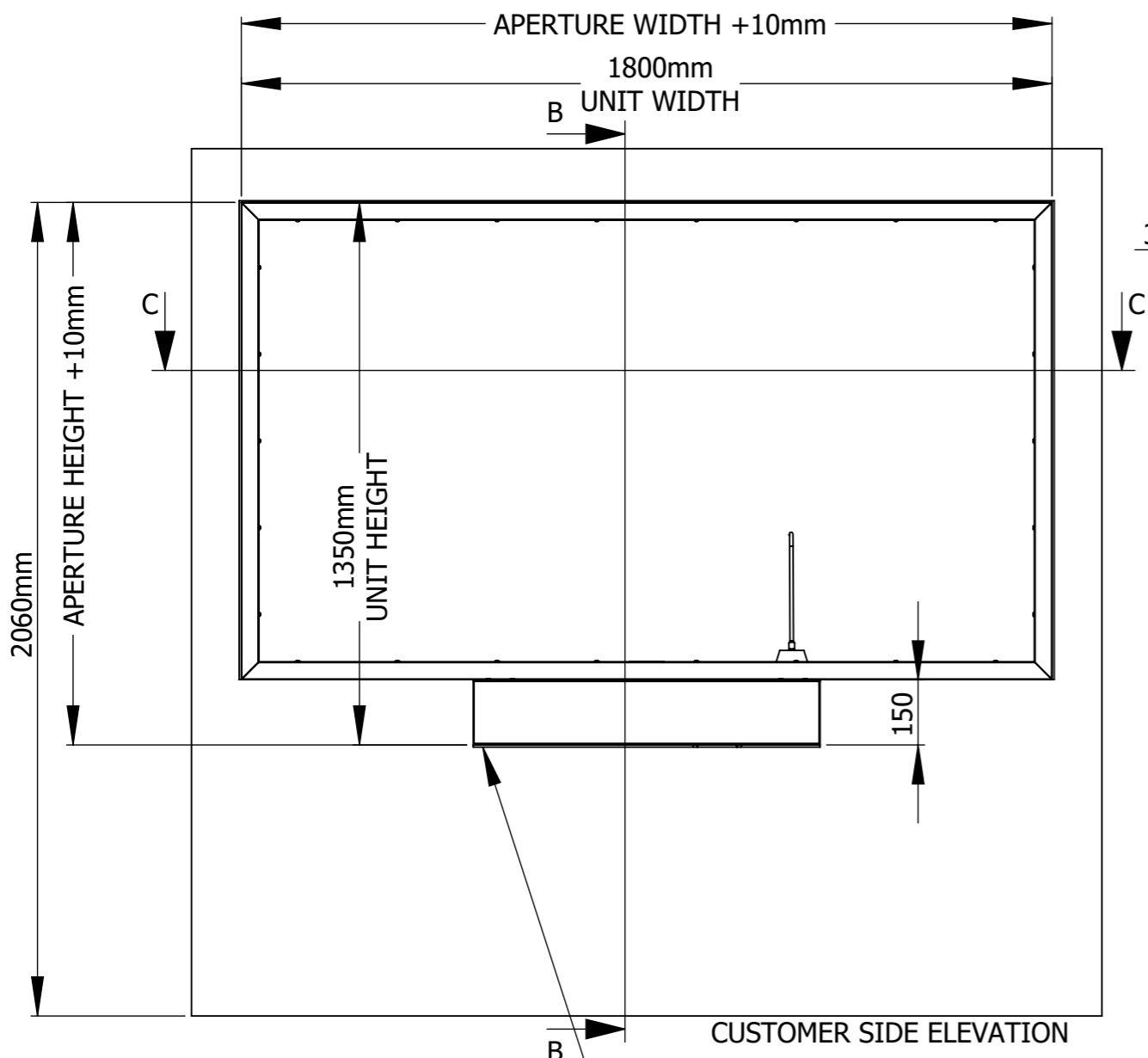
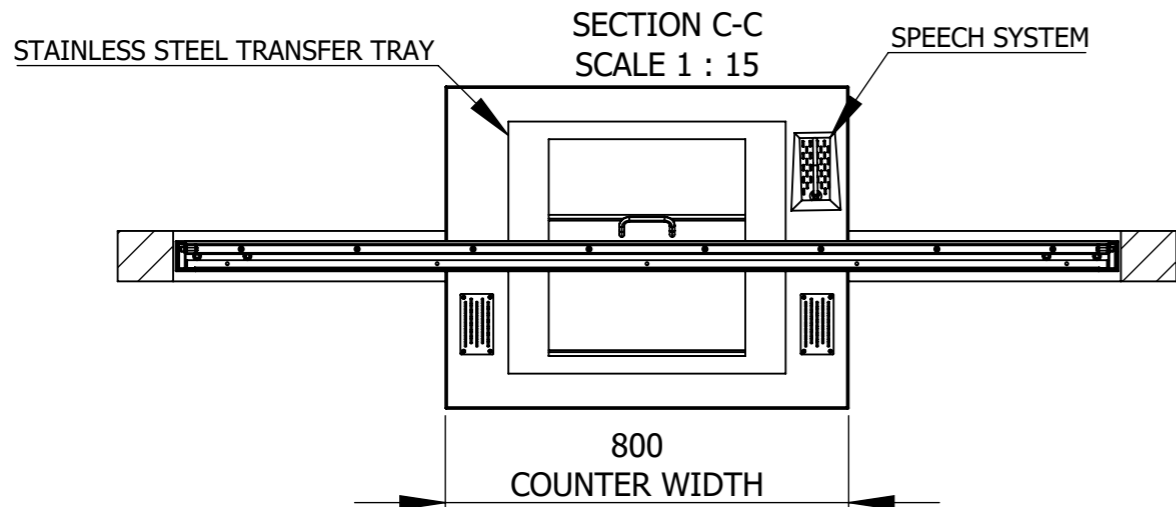
PAGE 1 of 3

PHYSICAL / BULLET RESISTANT SECURITY WINDOW

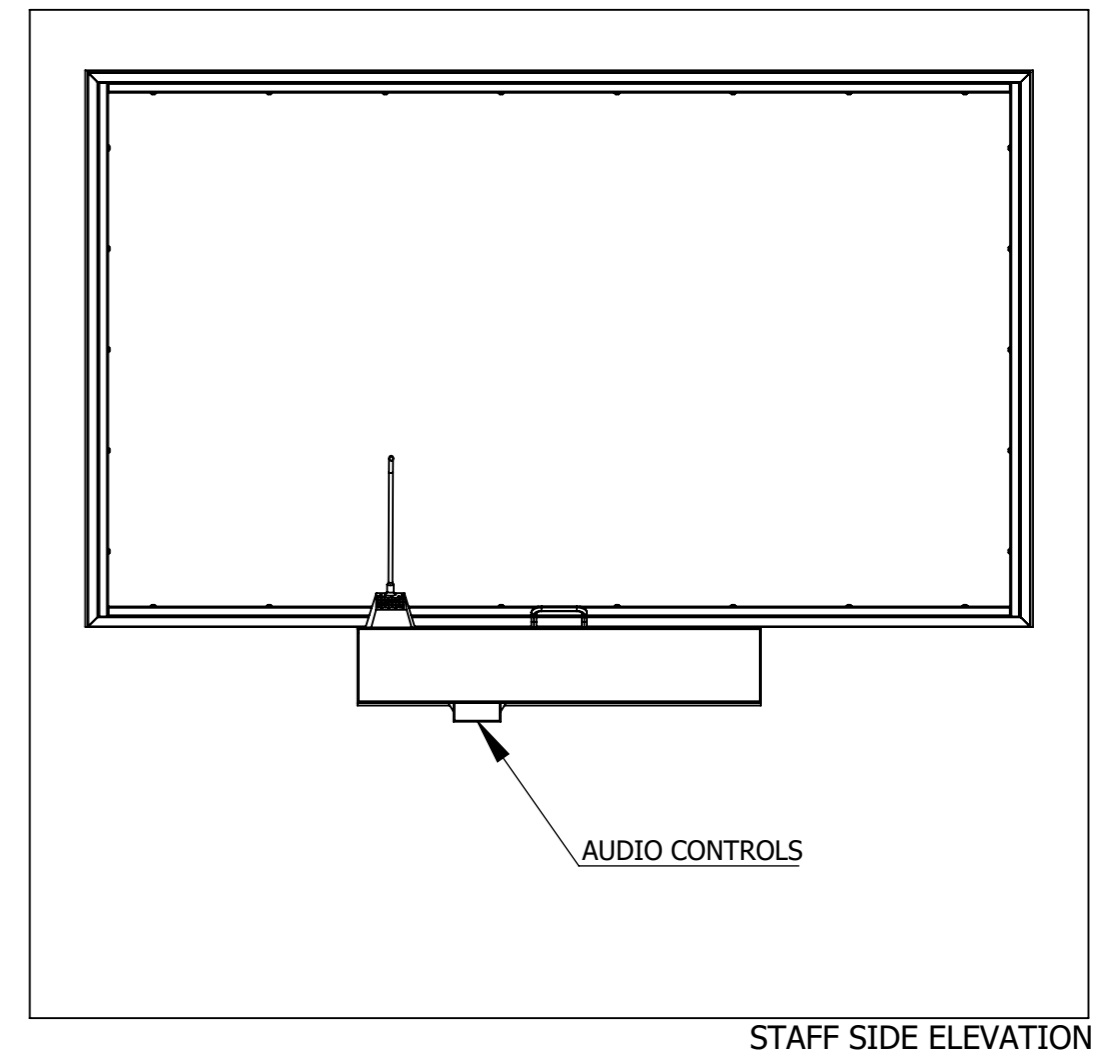
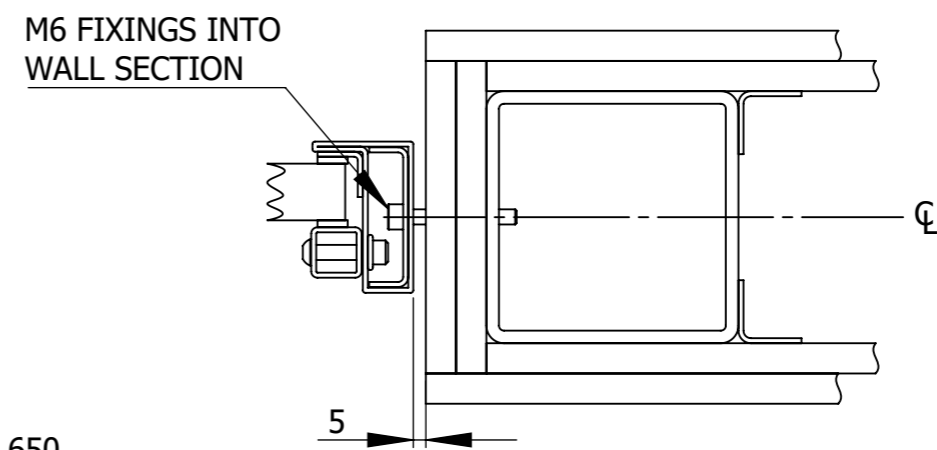


Architectural Armour

SECURITY WINDOW



TYPICAL FRAME HEAD AND JAMB DETAIL



Frames available in Powder Coated Standard RAL Colour or Satin Polished Stainless Steel.
Section sizes may vary subject to SPECIFICATION.

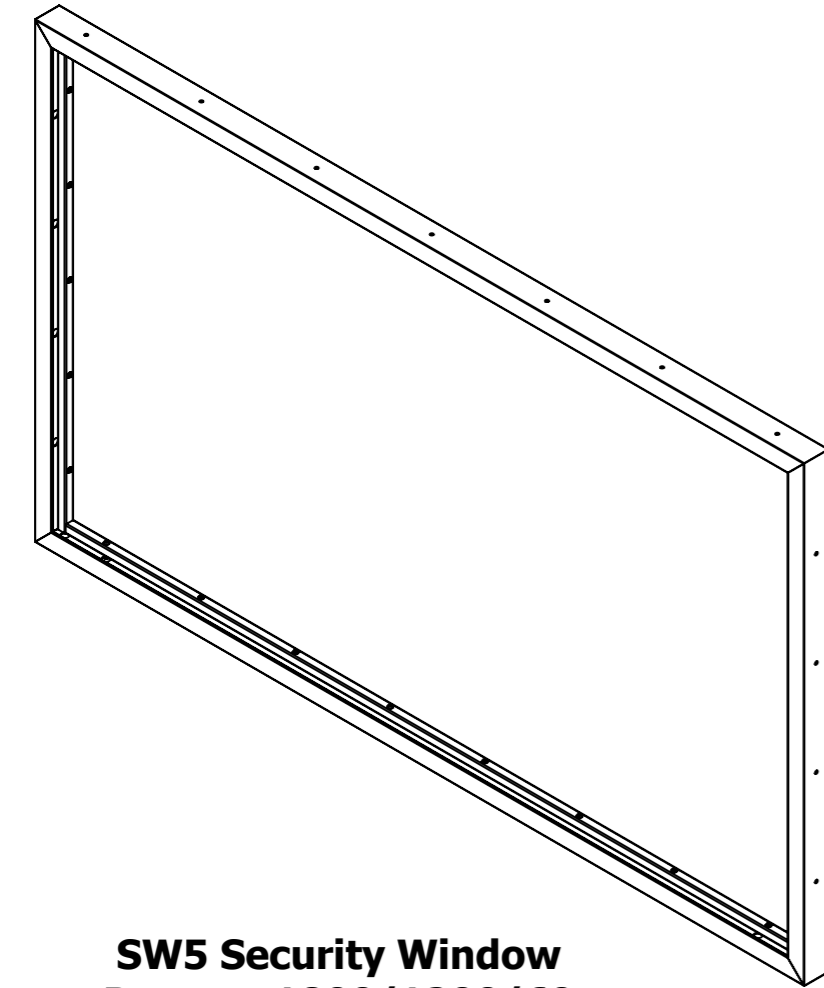
COUNTER AND DESK 304 GRADE STAINLESS STEEL SATIN POLISHED

Architectural Armour Limited Office +44(0)1981 257000	www.architecturalarmour.com sales@architecturalarmour.com	DRG No. SW5 800 COUNTER/1350 NTS PAGE 2 of 3
--	--	---

PHYSICAL / BULLET RESISTANT SECURITY WINDOW

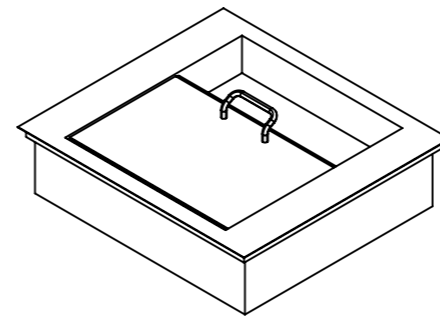


SECURITY WINDOW



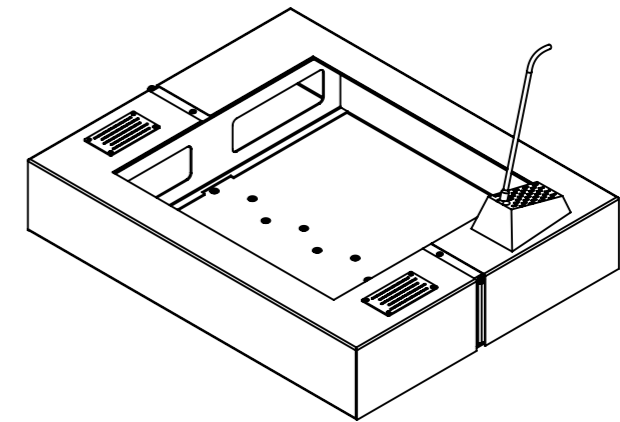
SW5 Security Window
Part no. 1800/1200/60

Security window Options
Physical attack Glazing EN356 P6B



Stainless Steel Transfer Tray
Part no. 550/500/141 Stainless Steel

Bullet Resistant Transaction Tray



Stainless Steel Counter C/W Flush Audio
Part no. 800/650/150

Flush Mounted Speech System
Mounted into surface.
Free Standing Staff Microphone and
Speaker (combined)
Part Number
AA/STS/003 Stainless Steel

Architectural Armour Limited www.architecturalarmour.com
Office +44(0)1981 257000 sales@architecturalarmour.com

DRG No.
SW5 800 COUNTER/1350 NTS
PAGE 3 of 3

