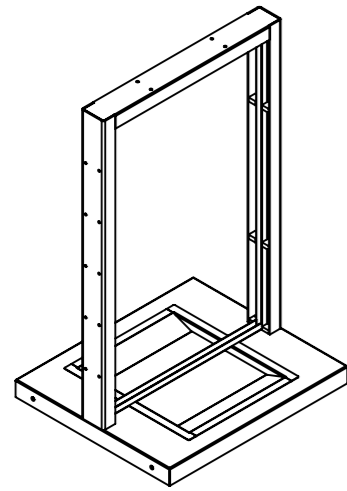


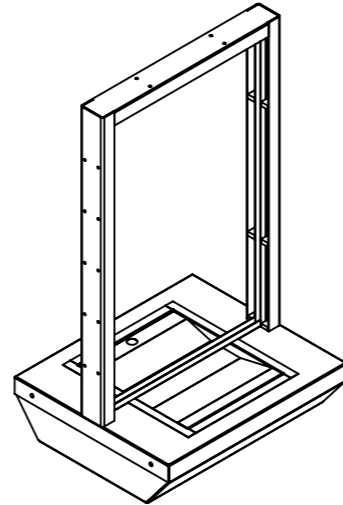
SW1



SW1

Internal and Covered External Application
 600mm W x 950mm H x 520mm D
 Steel Frame RAL 7016
 Stainless Steel Base
 EN356 P6B Attack Resistant Glass
 Natural Speech
 Cash and Document Tray (22mm Deep)

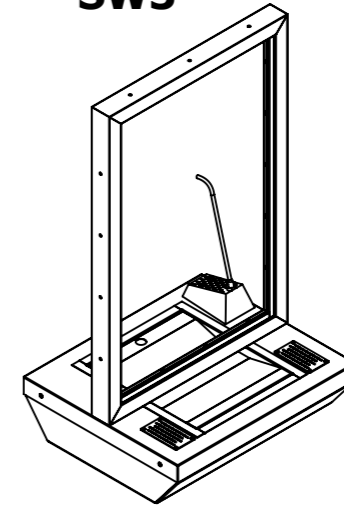
SW2



SW2

Internal and Covered External Application
 600mm W x 1052mm H x 520mm D
 Steel Frame RAL 7016
 Stainless Steel Base
 EN356 P6B Attack Resistant Glass
 Natural Speech
 Combination Tray (144mm Deep)

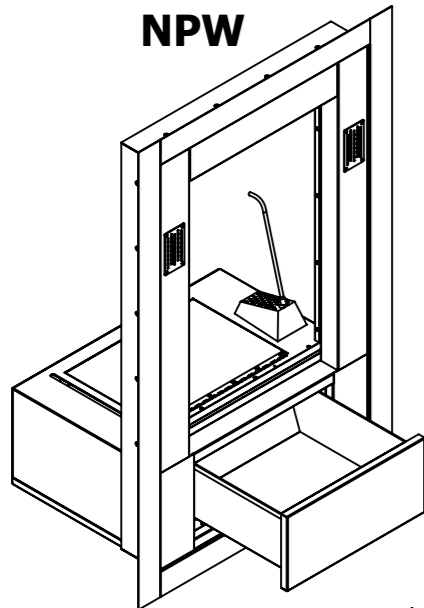
SW3



SW3

Internal and Covered External Application
 600mm W x 1050mm H x 520mm D
 Steel Frame RAL Colour to Customers Choice
 EN356 P6B Attack Resistant Glass
 Electronic Speech Transfer
 Combination Tray (144mm Deep)

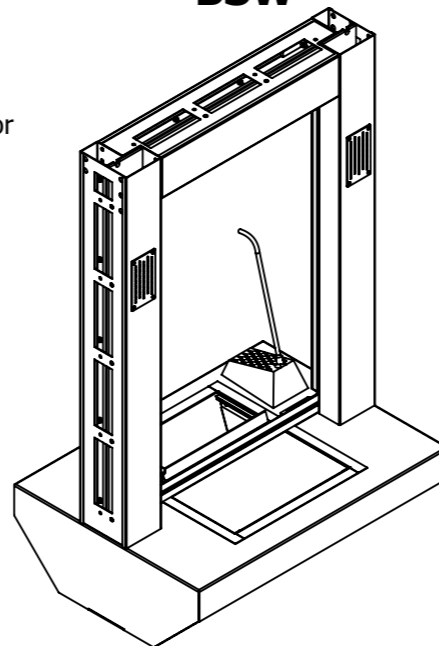
NPW



NPW

Internal and External Applications
 700mm W x 1180mm H x 505mm D
 853mm W x 1332mm H x 505mm D With External Flange
 EN1522/3 FB4 Certified Stainless Steel Frame
 Stainless Steel Base
 EN1522/3 BR4NS/SG1 Bullet Resistant Glass or
 EN356 P6B Attack Resistant Glass Available
 Electronic Speech Transfer
 Front Opening Drawer (Finishes Flush)

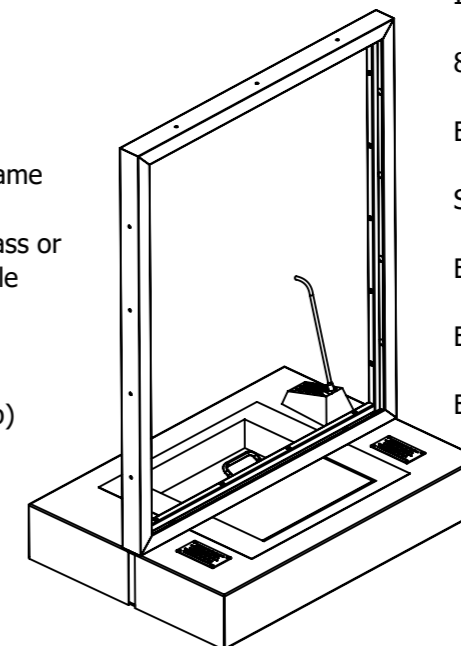
BSW



BSW

Internal and External Applications
 700mm W x 1100mm H x 520mm D
 EN1522/3 FB4 Certified Stainless Steel Frame
 EN1522/3 BR4NS/SG1 Bullet Resistant Glass or
 EN356 P6B Attack Resistant Glass Available
 Electronic Speech Transfer
 Deep Tray C/W Locking Lid (144mm Deep)

SW4

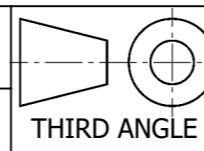


SW4

Internal and Covered External Application
 890mm W x 1250mm H x 640mm D
 EN1522/3 FB4 Certified Frame
 Stainless Steel Base
 EN1522/3 BR4NS/SG1 Bullet Resistant Glass
 Electronic Speech Transfer
 EN1522/3 FB4 Ballistic Tray



THIS DRAWING/SPECIFICATION REMAINS THE COPYRIGHT OF ARCHITECTURAL ARMOUR AND MUST NOT BE COPIED IN ANY FORM WHATSOEVER WITHOUT PRIOR WRITTEN PERMISSION
 4 The Courtyard, Station Rd, Dullingham CB9 9UP
 www.architecturalarmour.com



DRAWN	INITIALS	SIGNATURE	MATERIAL:
APPV'D			THICKNESS:
SCALE: 1:18	General Tolerance:		mm
WEIGHT:	Linear: ± mm	Angular: ± °	FINISH:

Original Drawing		1	
ZONE	DESCRIPTION	REV.	DATE
REVISIONS			

DWG NO.	SHEET 1 OF 1		
TITLE:			