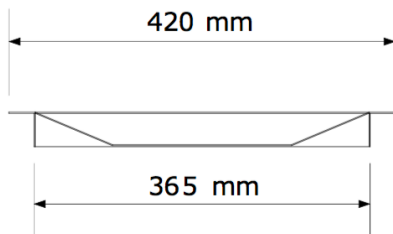
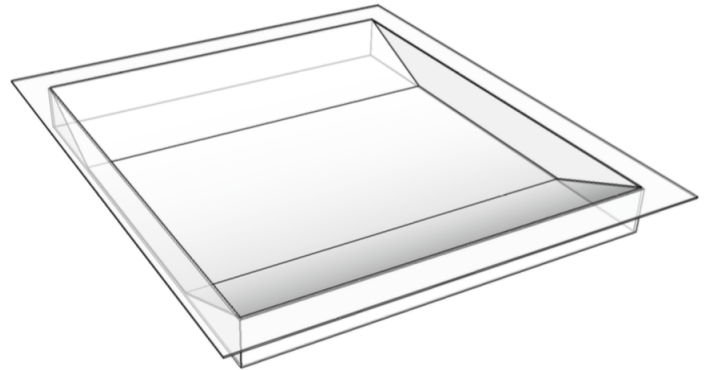
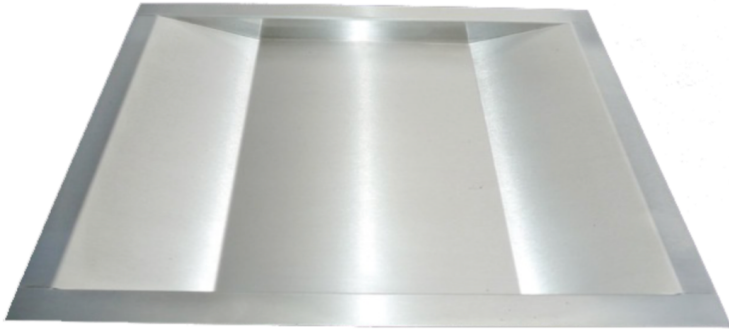
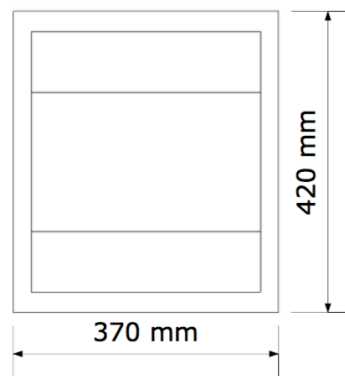


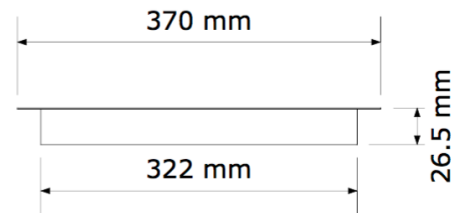
## Cash and Document Tray - Shallow Tray



SIDE ELEVATION



PLAN VIEW



ELEVATION

### Description

The Shallow Tray is manufactured from brushed stainless steel and is ideal for indoor counters. Capable of handling documents up to A3 as well as cash and coins.

### Specification

Clear pass through of 320mm wide x 24mm deep. Suggested counter aperture of 330mm x 380mm.

### Applications

Banks, Building Societies, Service Desks, Cash Counters.

Please email or call +44(0)1981 257000 to discuss your project requirements.