

Bullet Resistant Transaction Window - External / Internal

Model BSW



Suggested Wall Aperture:
705mm x 1110mm

Safety & Features

- Ballistic Security Window with Transfer Tray
- Electronic Speech Transfer & Induction Loop
- Deep Pass Through Tray with Locking Lid
- Bullet Resistant Security Glass to EN 1063 BR4 & SG1 No Spall
- Tested to defeat multiple shots from:
 - .44mm Magnum Handgun
 - Shotgun firing a Solid Brenneke 12g Slug
- Welded All Stainless Steel Construction
- Easy to install
- Bespoke sizes and specs made on request
- Complete range of internal, external, physical and bullet resistant security windows are available at www.architecturalarmour.com

Application

Model SW2 provides a safe environment for staff to effectively transact with customers

Typical applications are reception, cashiers, pharmacy windows, ticket offices, currency exchange and lone worker protection

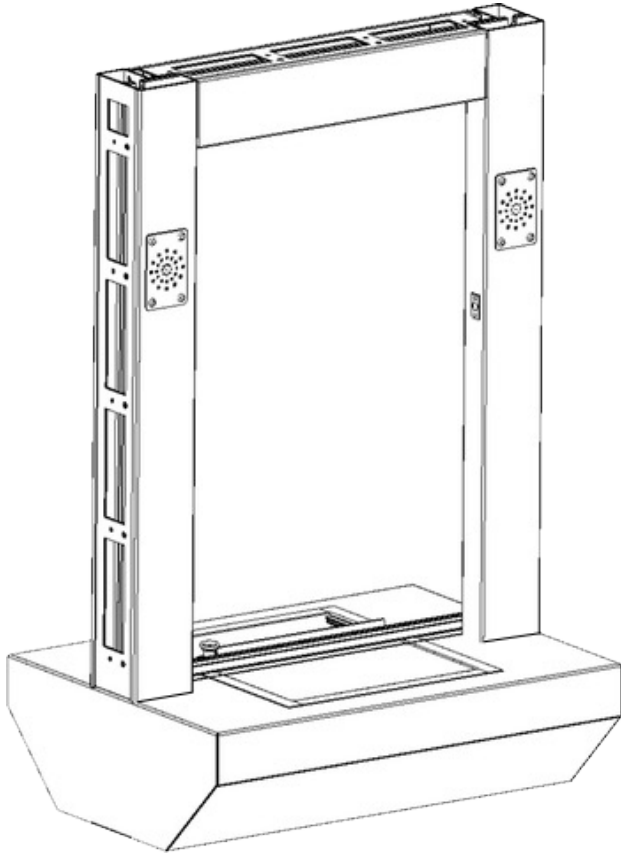


Architectural Armour

For our full range of Bullet, Blast & Attack Resistant Windows Walls and Doors contact
+44(0)1981 257000 sales@architecturalarmour.com www.architecturalarmour.com

Bullet Resistant Transaction Window - External / Internal

Model BSW

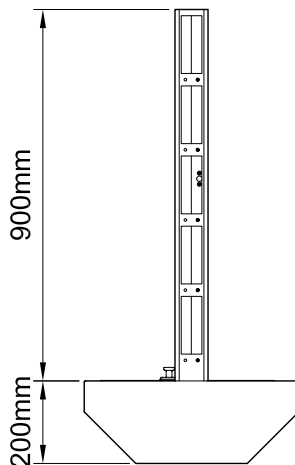


Materials

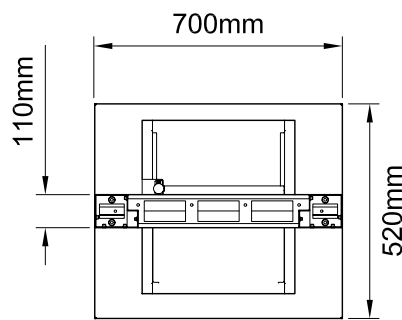
- Stainless Steel Counter & Screen
- Stainless steel Deep Tray with Lockable Lid
- Bullet Resistant Security Glass
- Ballistic Steel sub base

Suggested Wall Aperture

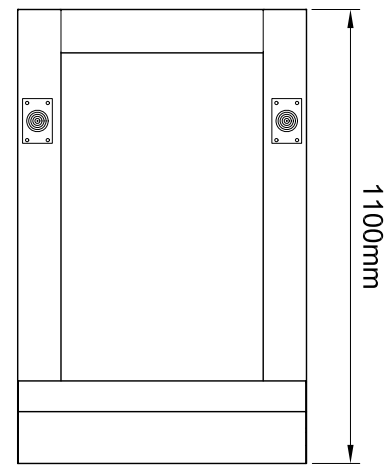
705 mm x 1110 mm



SIDE ELEVATION



PLAN VIEW



FRONT ELEVATION



Architectural Armour

For our full range of Bullet, Blast & Attack Resistant Windows Walls and Doors contact
+44(0)1981 257000 sales@architecturalarmour.com www.architecturalarmour.com